

8400 Offset Round Entrance Pull Handles



Advantages at a glance

- 316 Marine Grade Stainless Steel
- Designed with your project's needs in mind
- High durability with concealed fixings
- Standard finishes: SSS and PSS
- Powdercoat and custom finishes available on request



AS1428 Compliant

dormakaba's Offset Round Entrance Pull Handles crafted with precision and excellence in mind, these handles are designed to elevate your space with their superior quality and attention to detail.

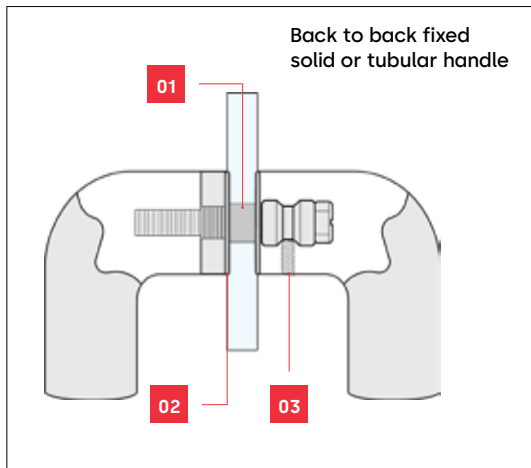
Made from premium 316 Marine Grade Stainless Steel, these handles are built to withstand the test of time, offering unmatched corrosion resistance for both indoor and outdoor use, even in high traffic areas. The offset round section design ensures effortless functionality, providing comfortable grip and ease of use.

Ideal for a variety of settings, from residential to commercial, these handles are versatile enough to be installed on glass, timber, and aluminium doors. Elevate your entrances with dormakaba's Offset Round Entrance Pull Handles and experience genuine quality that stands out in any space.

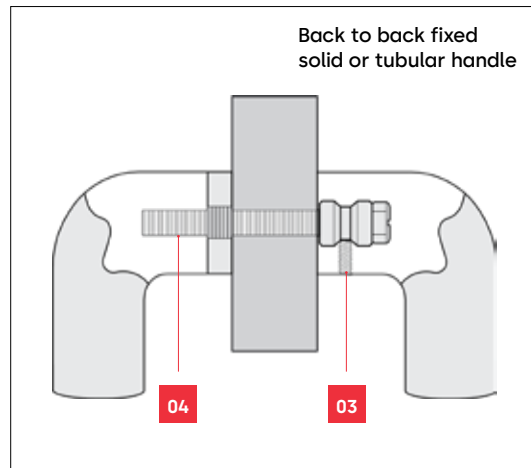
Refer to ordering details for a range of optional accessories to suit:

- Back to back extended fixing for timber doors
- Back to back fixing for glass doors
- Disc fixing for timber doors
- Disc fixing for glass doors

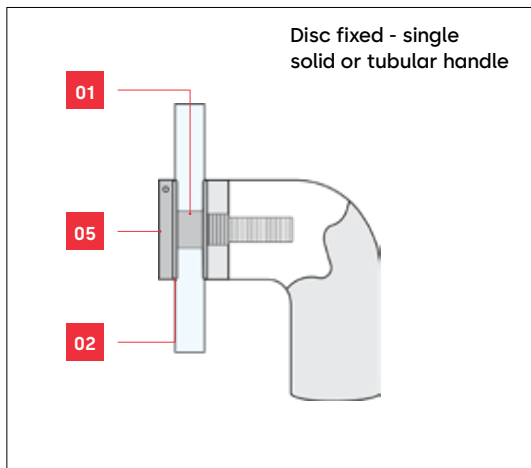
Fixing options



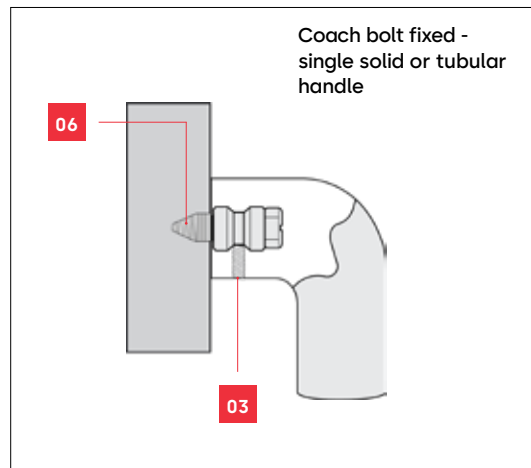
GD FIX - glass doors



TM FIX - timber or metal doors



D FIX - glass, metal or timber doors



C FIX - timber doors only

Note
Nylon spacers and washers are included with handle for glass door fixing option.

Legend
01 Spacer **03** Grub Screw **05** Disc
02 Washer **04** Bolt **06** Coach Bolt

TIMBER DOOR FIXING

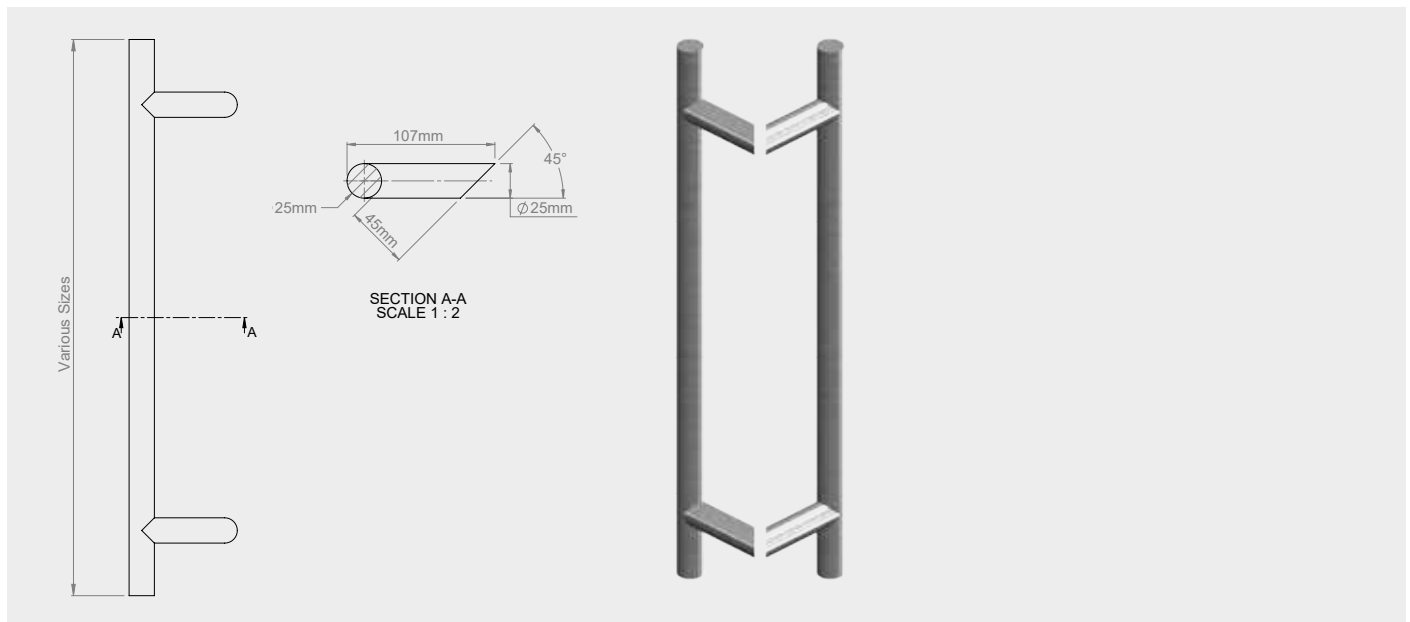
Material Size	Bolt Size
14mm Ø	5mm
16mm Ø	5mm
19mm Ø	8mm
25mm Ø	8mm
32mm Ø	8mm

METAL DOOR FIXING

Material Size	Bolt Size
14mm Ø	5mm
16mm Ø	5mm
19mm Ø	8mm
25mm Ø	8mm
32mm Ø	8mm

GLASS DOOR FIXING

Material Size	Bolt Size
14mm Ø	12mm Ø
16mm Ø	12mm Ø
19mm Ø	12mm Ø
25mm Ø	12mm Ø
32mm Ø	12mm Ø



8400 Offset Round dimensions

Ordering details

Item	Article Number	Description	Diameter	Projection	Offset	Length	Fixing Centres
BACK TO BACK FIXING		Note: 8400 Series in 25mm diameter requires a centre standoff for lengths 1900mm and over					
B8400/S/25/SSS	9458403894101	B8400/S/25 OA 600 CTC 440 SSS	25mm	65mm	107mm	600	440
B8400/S/25/PSS	9458403894102	B8400/S/25 OA 600 CTC 440 PSS	25mm	65mm	107mm	600	440
B8400/S/25 SF	9400000016487	B8400/S/25 OA 600 CTC 440 SF	25mm	65mm	107mm	600	440
B8400/O/25/SSS	9458406084101	B8400/O/25 OA 1000 CTC 840 SSS	25mm	65mm	107mm	1000	840
B8400/O/25/PSS	9458406084102	B8400/O/25 OA 1000 CTC 840 PSS	25mm	65mm	107mm	1000	840
B8400/O/25 SF	9400000016485	B8400/O/25 OA 1000 CTC 840 SF	25mm	65mm	107mm	1000	840
B8400/M/25/SSS	9458406894101	B8400/M/25 OA 1200 CTC 1040 SSS	25mm	65mm	107mm	1200	1040
B8400/M/25/PSS	9458406894102	B8400/M/25 OA 1200 CTC 1040 PSS	25mm	65mm	107mm	1200	1040
B8400/M/25 SF	9400000016483	B8400/M/25 OA 1200 CTC 1040 SF	25mm	65mm	107mm	1200	1040
B8400/S/32/SSS	9458403895101	B8400/S/32 OA 600 CTC 440 SSS	32mm	70mm	118mm	600	440
B8400/S/32/PSS	9458403895102	B8400/S/32 OA 600 CTC 440 PSS	32mm	70mm	118mm	600	440
B8400/S/32 SF	9400000016488	B8400/S/32 OA 600 CTC 440 SF	32mm	70mm	118mm	600	440
B8400/O/32/SSS	9458406085101	B8400/O/32 OA 1000 CTC 840 SSS	32mm	70mm	118mm	1000	840
B8400/O/32/PSS	9458406085102	B8400/O/32 OA 1000 CTC 840 PSS	32mm	70mm	118mm	1000	840
B8400/O/32 SF	9400000016486	B8400/O/32 OA 1000 CTC 840 SF	32mm	70mm	118mm	1000	840
B8400/M/32/SSS	9458406895101	B8400/M/32 OA 1200 CTC 1040 SSS	32mm	70mm	118mm	1200	1040
B8400/M/32/PSS	9458406895102	B8400/M/32 OA 1200 CTC 1040 PSS	32mm	70mm	118mm	1200	1040
B8400/M/32 SF	9400000016484	B8400/M/32 OA 1200 CTC 1040 SF	32mm	70mm	118mm	1200	1040
D8400/S/25/SSS	9400000014472	D8400/S/25 OA 600 CTC 440 SSS	25mm	65mm	107mm	600	440
D8400/S/25/PSS	9400000014471	D8400/S/25 OA 600 CTC 440 PSS	25mm	65mm	107mm	600	440
D8400/S/25 SF	9400000016536	D8400/S/25 OA 600 CTC 440 SF	25mm	65mm	107mm	600	440
D8400/O/25/SSS	9400000014456	D8400/O/25 OA 1000 CTC 840 SSS	25mm	65mm	107mm	1000	840
D8400/O/25/PSS	9400000014455	D8400/O/25 OA 1000 CTC 840 PSS	25mm	65mm	107mm	1000	840
D8400/O/25 SF	9400000016534	D8400/O/25 OA 1000 CTC 840 SF	25mm	65mm	107mm	1000	840
D8400/M/25/SSS	9400000014448	D8400/M/25 OA 1200 CTC 1040 SSS	25mm	65mm	107mm	1200	1040
D8400/M/25/PSS	9400000014447	D8400/M/25 OA 1200 CTC 1040 PSS	25mm	65mm	107mm	1200	1040
D8400/M/25 SF	9400000016532	D8400/M/25 OA 1200 CTC 1040 SF	25mm	65mm	107mm	1200	1040
D8400/S/32/SSS	9400000014474	D8400/S/32 OA 600 CTC 440 SSS	32mm	70mm	118mm	600	440
D8400/S/32/PSS	9400000014473	D8400/S/32 OA 600 CTC 440 PSS	32mm	70mm	118mm	600	440
D8400/S/32 SF	9400000016537	D8400/S/32 OA 600 CTC 440 SF	32mm	70mm	118mm	600	440
D8400/O/32/SSS	9400000014458	D8400/O/32 OA 1000 CTC 840 SSS	32mm	70mm	118mm	1000	840
D8400/O/32/PSS	9400000014457	D8400/O/32 OA 1000 CTC 840 PSS	32mm	70mm	118mm	1000	840
D8400/O/32 SF	9400000016535	D8400/O/32 OA 1000 CTC 840 SF	32mm	70mm	118mm	1000	840
D8400/M/32/SSS	9400000014450	D8400/M/32 OA 1200 CTC 1040 SSS	32mm	70mm	118mm	1200	1040
D8400/M/32/PSS	9400000014449	D8400/M/32 OA 1200 CTC 1040 PSS	32mm	70mm	118mm	1200	1040
D8400/M/32 SF	9400000016533	D8400/M/32 OA 1200 CTC 1040 SF	32mm	70mm	118mm	1200	1040

Ordering details

Item	Article Number	Description	Diameter	Projection	Offset	Length	Fixing Centres
ACCESSORIES - EXTENDED FIXINGS							
TM/M8/50	9459508058200	M8/50 FERULE HEAD BOLT TM FIX					
TM/M8/75	9459758078200	M8/75 FERULE HEAD BOLT TM FIX					
TM/M8/90	9400000012887	M8/90 BOLT & 16MM FERULE TM FIX					
TM/M8/100	9400000012888	M8/100 BOLT & 16MM FERULE TM FIX					
TM/M8/110	9459118118200	M8/110 BOLT & 16MM FERULE TM FIX					
TM/M8/120	9459128128200	M8/120 BOLT & 16MM FERULE TM FIX					
TM/M8/130	9459138138200	M8/130 BOLT & 16MM FERULE TM FIX					
TM/M8/150	9459158158200	M8/150 BOLT & 16MM FERULE TM FIX					
ACCESSORIES - GLASS FIXINGS							
GF8400	9400000014834	8400 25/32 GLASS FIXING PAIRS					

Note: When ordering extended fixings please use the below formula.

Door thickness + 20mm for the Ferule
+ 10mm in to the other handle
= round up to the nearest size offered.

• For single sided internal fixing, a disc fixing kit is required

Any questions? We would be happy to advise you.

dormakaba Australia | info.au@dormakaba.com | T 1800 675 411 | www.dormakaba.com.au
dormakaba New Zealand | info.nz@dormakaba.com | T 0800 436 762 | www.dormakaba.co.nz

Subject to change without notice 000230 | 10.24